

Power Potentiometers

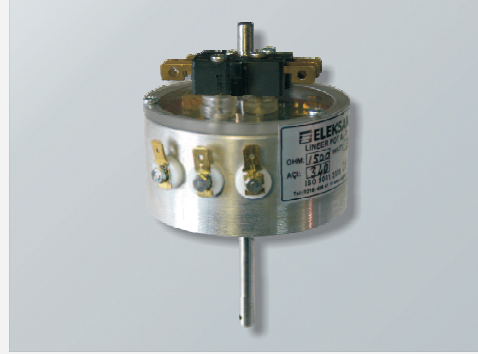
technical data

Commercialised since Eleksan Ltd.'s establishment in 1970, the power potentiometers product range is composed of 4 different types of potentiometers of the standard series and custom designed potentiometers, manufactured following special customer requirements.

Eleksan Ltd.'s power potentiometer range of products are in conformity with DIN 41.475/6 standards and share similar dimensional and electrical characteristics with their international counterparts.



Standard Series
Power Potentiometer



Custom Designed - IP64 Standard
Power Potentiometer

The nickel alloyed resistance wires are wound over ceramic potentiometer bodies by fully automatic winding machines. Due to surface quality of ceramic potentiometer body and the precision winding quality, Eleksan Ltd.'s power potentiometers have excellent resistance linearity. In order to increase the electrical conductivity and resistance to corrosion, the metallic equipment of the power potentiometers are silver alloy coated.

In order to maximize contact conductance and to reduce friction on windings, the electrical cursor of the power potentiometers are manufactured of silver based alloy.

Eleksan Ltd.'s power potentiometers, a product group incorporating advanced winding and isolation technologies and precision mechanics, are reliable products of high resistance linearity, quality and endurance.

Technical Specifications:

- Power Range: 5 - 3000W
- Electrical Resistance Tolerance: +/- %8
- Cursor Travel Range: 0-285°
- Cursor Travel Torque: 285 - 320 g.cm
- Maximum Operating Temperature: 200°C
- Electrical Isolation Resistance: 10^6 Ohm / cm at 400°C
- Test Voltage: 1000Vrms

Power Potentiometers

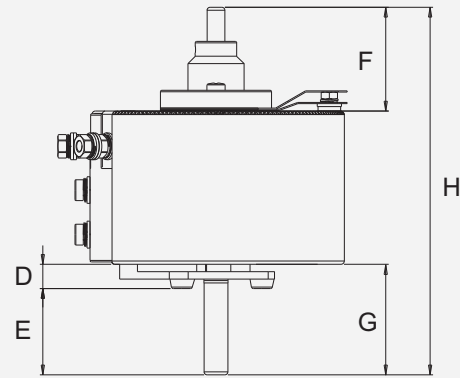
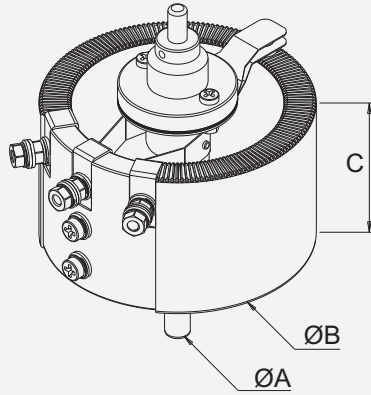
technical data



Standard Power Potentiometers Series:

	ØA:	ØB:	C:	D:	E:	F:	G:	H:
TYPE-1	6	45	31	12	16	8	28	67
TYPE-2	6	56	38	13	19	8	31	77
TYPE-3	8	85	50	11	25	18	36	104
TYPE-4	8	135	60	16	40	18	56	134

Dimension values given in millimeter



Custom Designed Power Potentiometer (IP64 Standard) :

	ØA:	ØB:	C:	D:	E:	F:	G:	H:
TYPE-1	6	78	42	6	50	28	56	126

Dimension values given in millimeter

